

8 7 6 5 4 3 2 1

D

D

C

C

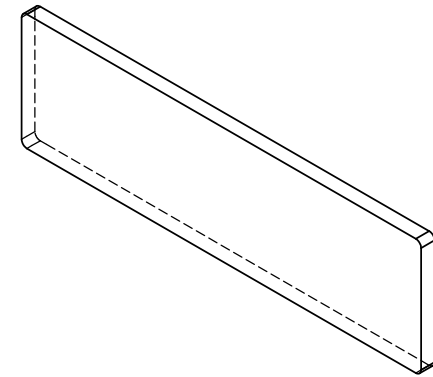
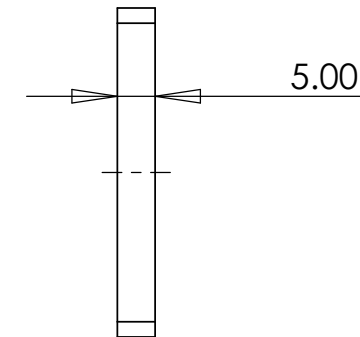
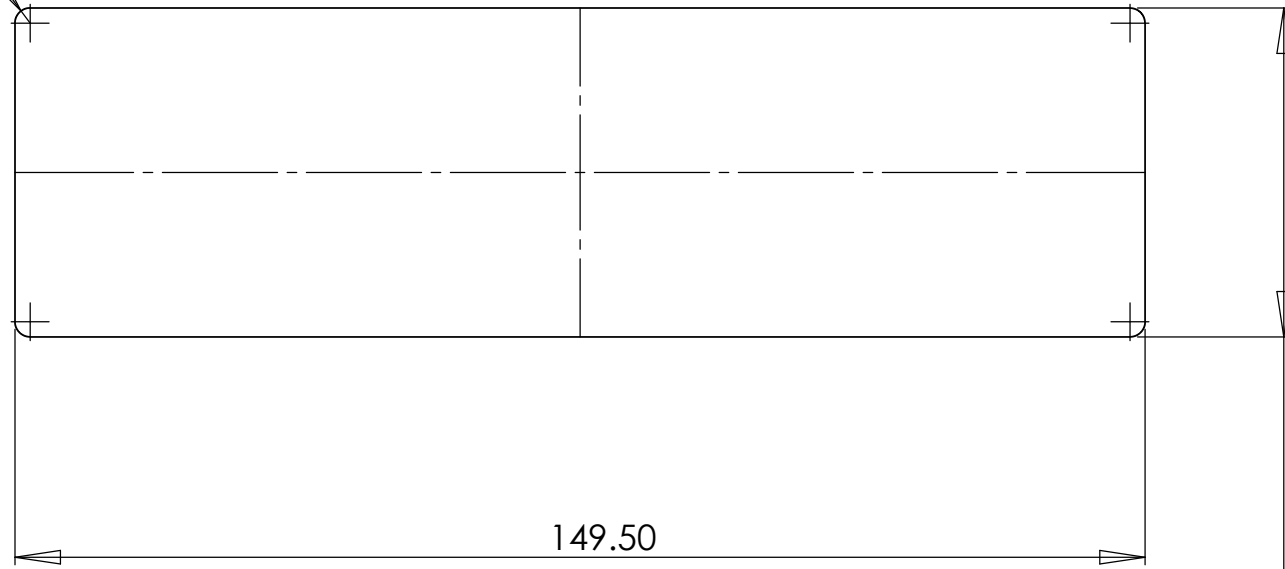
B

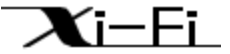
B

A

A

R2.00 x4



UNLESS OTHERWISE SPECIFIED: -DIMENSIONS ARE IN MILLIMETERS -DIMENSIONAL TOLERANCE: .X ± .5, .XX ± .05 -ANGULAR TOLERANCE: ±.5°		DRAWN	NAME	DATE	 <b>eXcessive Fidelity</b> USA									
<b>PROPRIETARY AND CONFIDENTIAL</b> THE INFORMATION CONTAINED IN THIS DRAWING IS THE SOLE PROPERTY OF XI-FI. ANY REPRODUCTION IN PART OR AS A WHOLE WITHOUT THE WRITTEN PERMISSION OF XI-FI IS PROHIBITED.		CHECKED	M. Pica			<b>TITLE:</b>  <h1>BAY COVER</h1>								
		ENG APPR.												
		MFG APPR.												
		Q.A.												
COLOR	SMOKE	COMMENTS:			<table border="1"> <tr> <td>SIZE</td> <td>DWG. NO.</td> <td>REV</td> </tr> <tr> <td><b>B</b></td> <td><b>Bay Cover</b></td> <td><b>B</b></td> </tr> <tr> <td>SCALE: 1:1</td> <td>WEIGHT:</td> <td>SHEET 1 OF 1</td> </tr> </table>	SIZE	DWG. NO.	REV	<b>B</b>	<b>Bay Cover</b>	<b>B</b>	SCALE: 1:1	WEIGHT:	SHEET 1 OF 1
SIZE	DWG. NO.	REV												
<b>B</b>	<b>Bay Cover</b>	<b>B</b>												
SCALE: 1:1	WEIGHT:	SHEET 1 OF 1												
MATERIAL	PLEXIGLAS OR SIMILAR													
FINISH														

8 7 6 5 4 3 2 1